



Page
Return
Page 1
Page 2
Page 3
Page 4
Page 5
Page 6
Page 7
Page 8
Page 9

GROUP 56**HOOD & TRUNK****TABLE OF CONTENTS**

ENGINE HOOD	56 - 3	- Trunk lid position adjustment	56 - 6
- Removal/Installation	56 - 3	- Trunk lid opening spring adjustment	56 - 6
- Hood position adjustment	56 - 3	TRUNK LID RELEASE SOLENOID	56 - 6
- Hood height adjustment pins setting	56 - 3	- Removal/Installation	56 - 6
- Shock absorbers adjustment	56 - 4	- Adjustment	56 - 7
HOOD RELEASE CONTROL	56 - 4	TECHNICAL CHARACTERISTICS AND	
- Removal/Installation	56 - 4	SPECIFICATIONS	56 - 8
- Hood release cable adjustment	56 - 4	- Fluids and lubricants	56 - 8
ENGINE HOOD SAFETY LOCK	56 - 4	- Tightening torques	56 - 8
- Removal/Installation	56 - 4	TROUBLESHOOTING PROCEDURE	56 - 9
TRUNK LID	56 - 5		
- Removal/Installation	56 - 5		



GROUP 56

HOOD & TRUNK

TABLE OF CONTENTS

ENGINE HOOD 56 - 3

- Removal/Installation 56 - 3
- Hood position adjustment 56 - 3
- Hood height adjustment pins setting 56 - 3
- Shock absorbers adjustment 56 - 4

HOOD RELEASE CONTROL 56 - 4

- Removal/Installation 56 - 4
- Hood release cable adjustment 56 - 4

ENGINE HOOD SAFETY LOCK 56 - 4

- Removal/Installation 56 - 4

TRUNK LID 56 - 5

- Removal/Installation 56 - 5

- Trunk lid position adjustment 56 - 6
- Trunk lid opening spring adjustment 56 - 6

TRUNK LID RELEASE SOLENOID 56 - 6

- Removal/Installation 56 - 6
- Adjustment 56 - 7

TECHNICAL CHARACTERISTICS AND SPECIFICATIONS 56 - 8

- Fluids and lubricants 56 - 8
- Tightening torques 56 - 8

TROUBLESHOOTING PROCEDURE 56 - 9

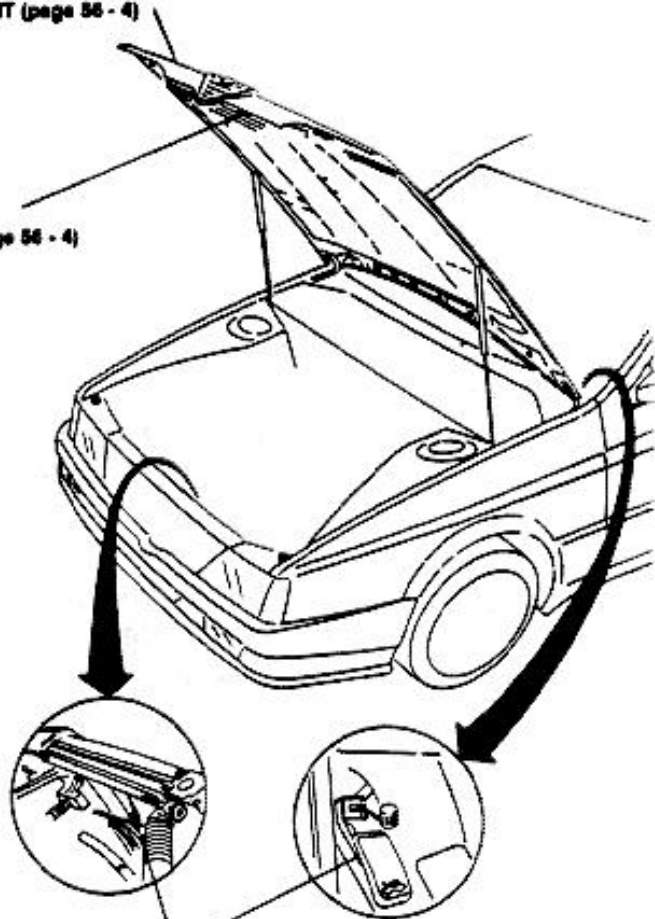


ILLUSTRATED INDEX

ENGINE HOOD

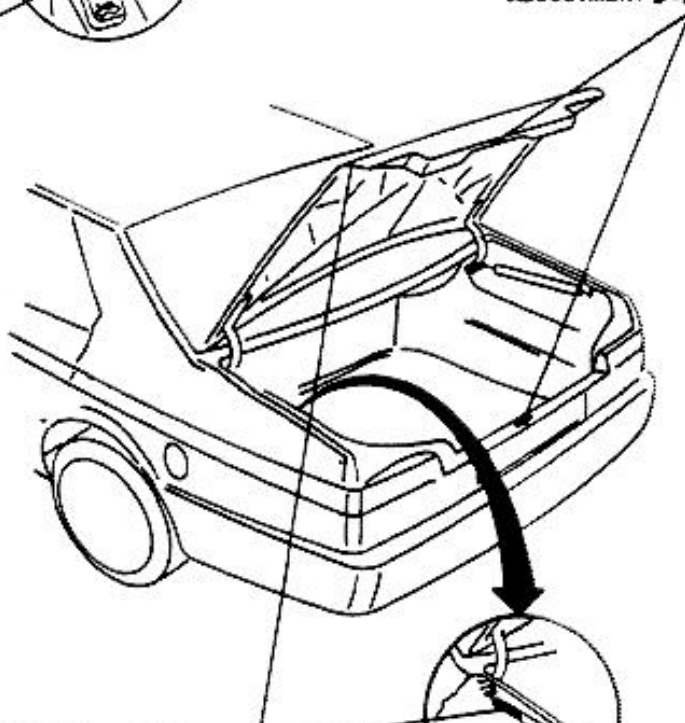
- REMOVAL/INSTALLATION (page 56 - 3)
- HOOD POSITION ADJUSTMENT (page 56 - 3)
- HOOD HEIGHT ADJUSTMENT PINS SETTING (page 56 - 3)
- SHOCK ABSORBERS ADJUSTMENT (page 56 - 4)

ENGINE HOOD SAFETY LOCK
REMOVAL/INSTALLATION (page 56 - 4)



HOOD RELEASE CONTROL
REMOVAL/INSTALLATION (page 56 - 4)
HOOD RELEASE CABLE ADJUSTMENT (page 56 - 4)

TRUNK LID RELEASE SOLENOID
REMOVAL/INSTALLATION (page 56 - 6)
ADJUSTMENT (page 56 - 7)



TRUNK LID

REMOVAL/INSTALLATION (page 56 - 8)
TRUNK LID POSITION ADJUSTMENT (page 56 - 8)
TRUNK LID OPENING SPRING ADJUSTMENT (page 56 - 8)



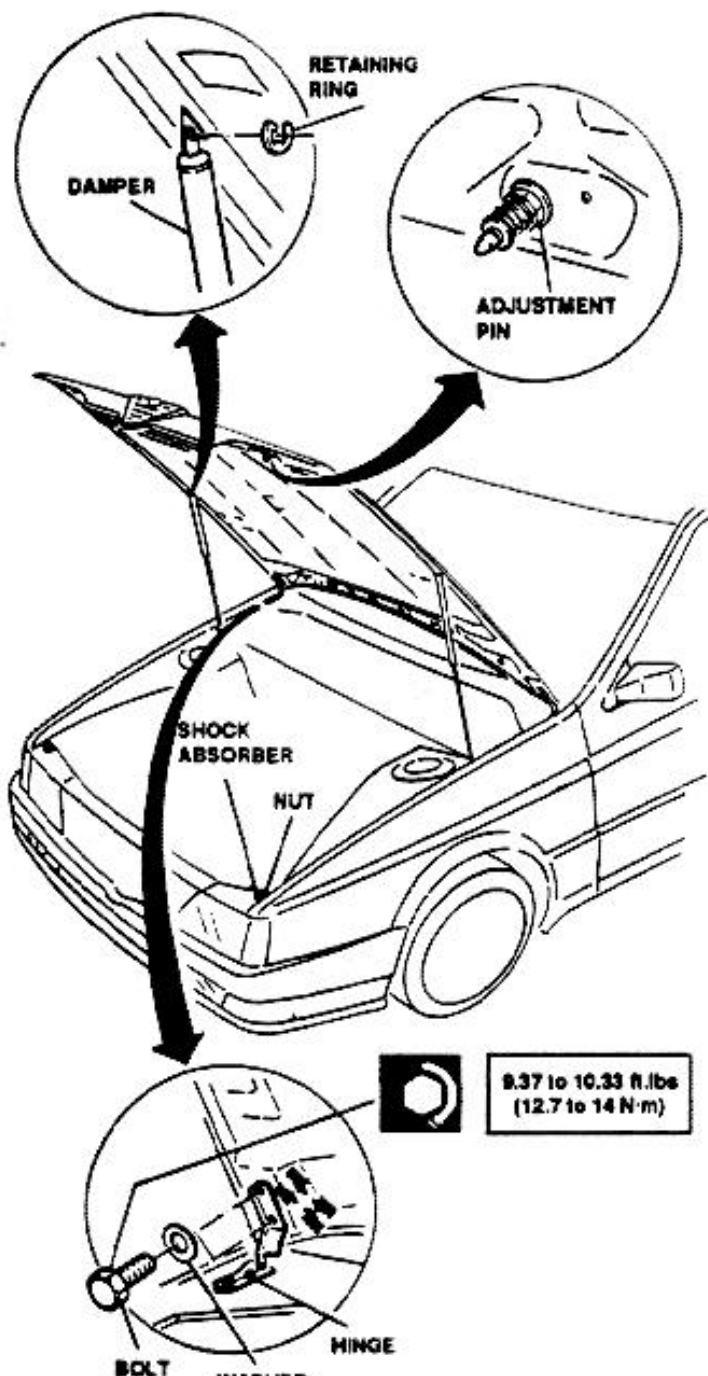


ENGINE HOOD

REMOVAL/INSTALLATION

NOTE: Prevent any damage of paintwork during hood removal or installation.

1. Disconnect battery (-) lead.
2. Open hood.



WARNING:

Support hood properly to prevent dropping onto maintenance personnel during removal.

3. Remove damper retaining rings.
4. Unscrew two bolts securing hood to hinges, remove bolts and washers.
5. Remove dampers.
6. Remove hood.



- Before torquing hinge bolts, adjust hood position as indicated in the following.
- Following installation, if necessary, perform setting of hood height adjustment pins and of shock absorbers as indicated in the following.

HOOD POSITION ADJUSTMENT

1. Partially unscrew hinge bolts.
2. Move hood laterally or longitudinally as necessary.
3. Lock hood in position by tightening the hinge bolts.
4. Check that hood position is satisfactory; otherwise, repeat operations stated at previous steps.
5. When hood position adjustment is complete, torque hinge bolts to prescribed torque. If necessary grease with prescribed products.

HOOD HEIGHT ADJUSTMENT PINS SETTING

1. Slightly loosen left or right adjustment pin securing nut.
2. Unscrew or screw adjustment pin as necessary.
3. Lock pin in position tightening adjustment pin secur-

WASHER

I ing nut.

56 - 3



4. Repeat above operations on opposite adjustment pin.
5. Check that setting has been carried-out properly, and repeat if necessary.

SHOCK ABSORBERS ADJUSTMENT

1. Slightly loosen left or right shock absorber securing nut.
2. Manually unscrew shock absorber as required.
3. Lock shock absorber in position by tightening nut.
4. Repeat above operations on opposite shock absorber.
5. Check that adjustment has been carried-out properly, and repeat if necessary.

HOOD RELEASE CONTROL

REMOVAL/INSTALLATION

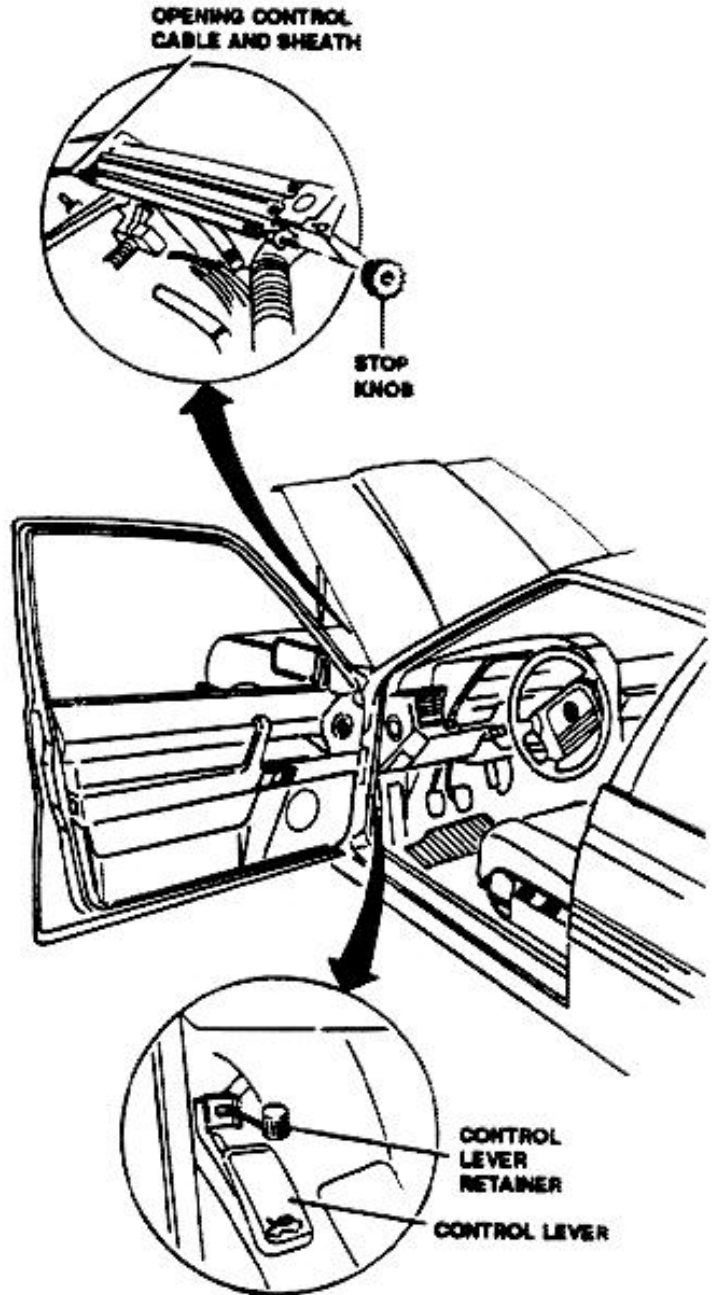
1. Disconnect battery (-) lead.
2. Open engine hood.
3. Unscrew and remove hood release cable lock knob.
4. Acting from vehicle's interior, release retainer from hood release control lever.
5. Partially slide release control cable until off the front sheath, then remove front sheath.
6. Slide-off control cable from vehicle.



Following installation, adjust the hood release control cable as indicated in the following.

HOOD RELEASE CABLE ADJUSTMENT

1. Screw or unscrew cable stop knob as required.



ENGINE HOOD SAFETY LOCK

REMOVAL/INSTALLATION

1. Disconnect battery (-) lead.
2. Open engine hood.
3. Remove the two bolts and washers securing hood safety lock.
4. Remove the two rivets securing hood safety lock.
5. Remove hood safety lock.

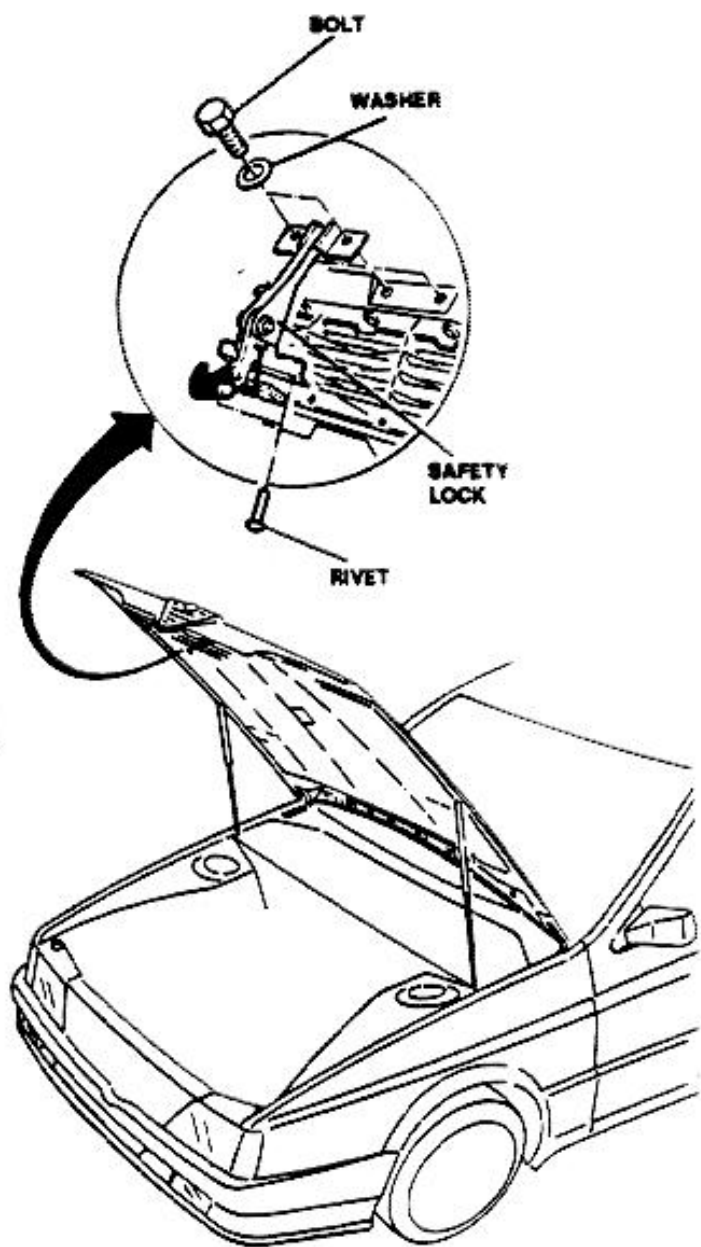


Repeat procedure in reverse order for installation.

2. Verify for proper opening of hood.



1001.



TRUNK LID

REMOVAL/INSTALLATION

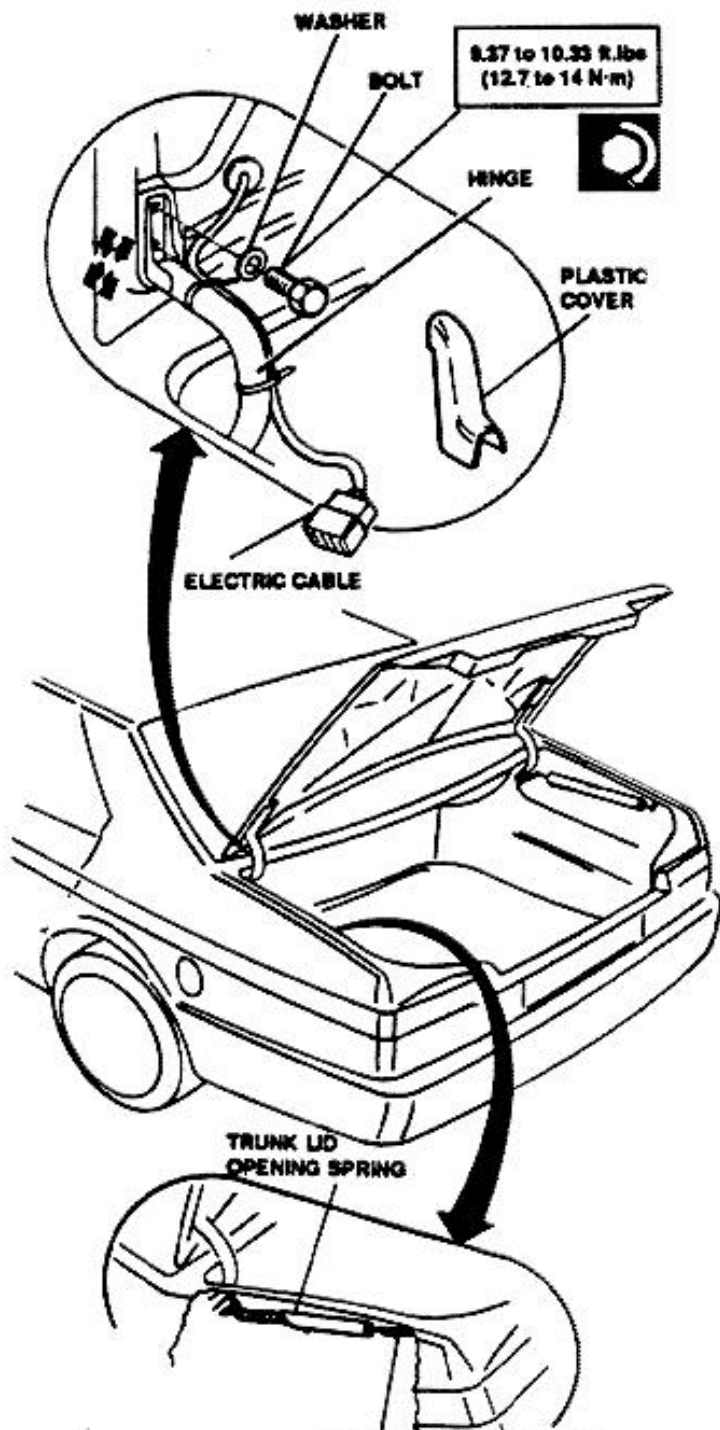
NOTE: Prevent any damage of paintwork during lid removal or installation.

1. Disconnect battery (-) lead.
2. Remove hinge plastic covers.



WARNING:
Support lid properly to prevent dropping onto maintenance personnel during removal.

4. Remove bolts and washers securing lid to hinges.
5. Remove trunk lid.



3. Disconnect electric cable.

|

SPRING ADJUSTMENT PLATE

56 - 5



- Before torquing the hinge bolts, adjust lid position as indicated in the following.
- Before re-connecting electric cables, check that wires are properly connected to connectors.
- After completion of installation, check lid opening spring for proper operation; adjust spring as indicated in the following, if required.

TRUNK LID POSITION ADJUSTMENT

1. Partially unscrew hinge bolts.
2. Move lid laterally or longitudinally as required.
3. Lock lid in position by torquing hinge bolts.
4. Check lid position is satisfactory, and repeat adjustment if required as stated in previous steps.
5. After adjustment, torque hinge bolts to prescribed torque. If necessary grease with prescribed products.

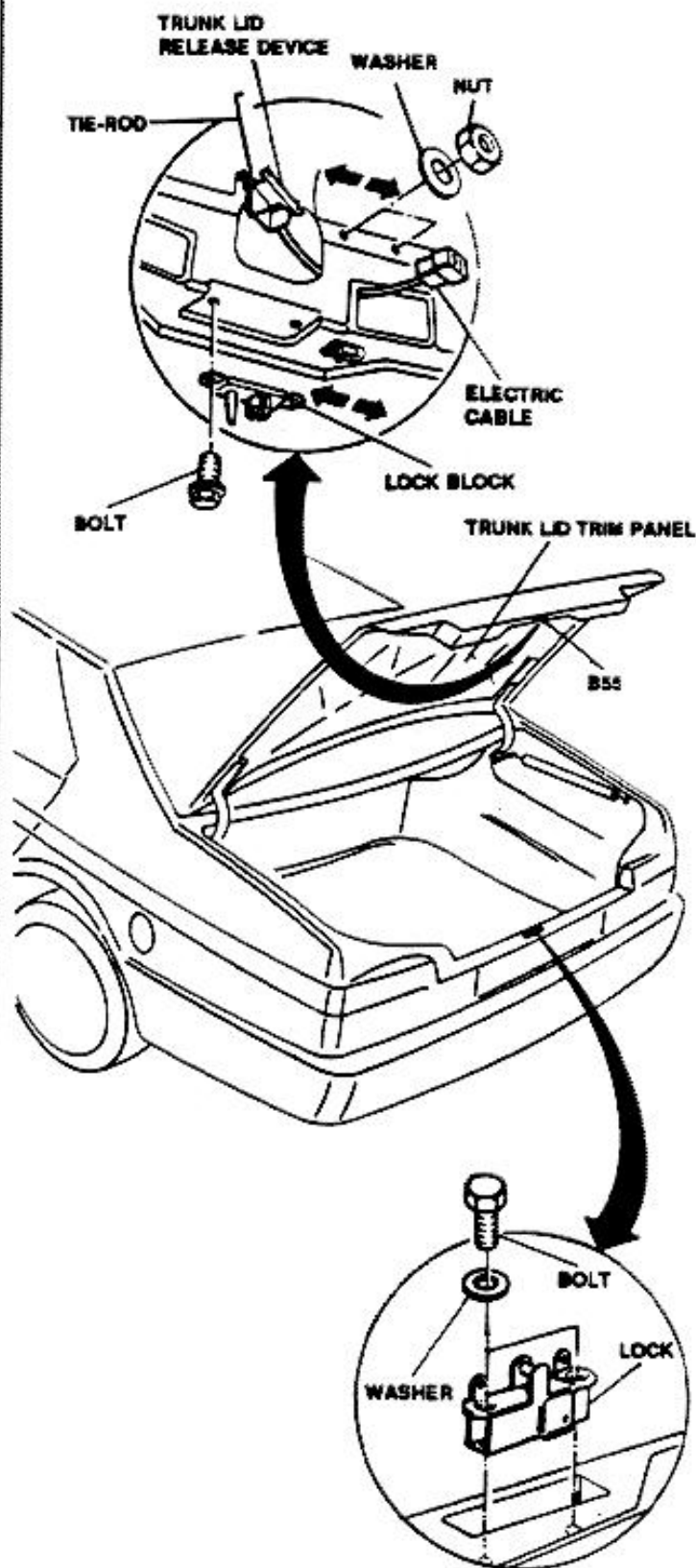
TRUNK LID OPENING SPRING ADJUSTMENT

1. Open trunk lid.
2. Release spring from adjustment plate.
3. Move spring hook on adjustment plate as required.

TRUNK LID RELEASE SOLENOID

REMOVAL/INSTALLATION

1. Disconnect battery (-) lead.
2. Remove trunk lid trim panel (refer to Group 66).
3. Remove two nuts and washers securing trunk lid release device.
4. Release trunk lid release device tie-rod from lock block.
5. Disconnect electric cable.
6. Remove trunk lid release device.
7. Remove two bolts and washers securing lock block.
8. Remove lock block.
9. Remove two bolts and washers securing lid lock.



10. Remove lid lock.

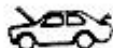
56 - 6



- Before final torquing of lid release control device and lid lock securing bolts, perform adjustment indicated in the following paragraph.
- Before re-connecting electric cables, check wires are properly connected to connectors.
- If necessary, grease with prescribed products.

ADJUSTMENT

1. Fix lock block in center position.
2. Partially unscrew bolts securing lid release device.
3. Move release device to left or right, as required.
4. Lock lid release device torquing attachment bolts.
5. Check lid for proper opening, and repeat adjustment if necessary.
6. If necessary, move lock block to left or right, as required.



TECHNICAL CHARACTERISTICS AND SPECIFICATIONS

FLUIDS AND LUBRICANTS

Application	Type	Name	Quantity
Locks	GREASE	AMECO-OPTIMOL Optimoly-Paste White T COMPOUND 7 Rhône-Poulenc chimica S.p.A.	-
Seals	SILICON SPRAY LUBRICANT		-

TIGHTENING TORQUES

ENGINE HOOD - Hinge	9.37 to 10.33 ft. lbs	12.7 to 14 N·m
TRUNK LID - Hinge	9.37 to 10.33 ft. lbs	12.7 to 14 N·m



TROUBLESHOOTING PROCEDURE

NOTE: One of the possible inconveniences caused by wear or incorrect position of the boot gasket consists in an aerodynamic rustling causing a disturbing rear noise at high speeds.
For a rapid solution, refer to the troubleshooting concerning noise problems, Group 66 - INTERNAL TRIM.

56 - 9